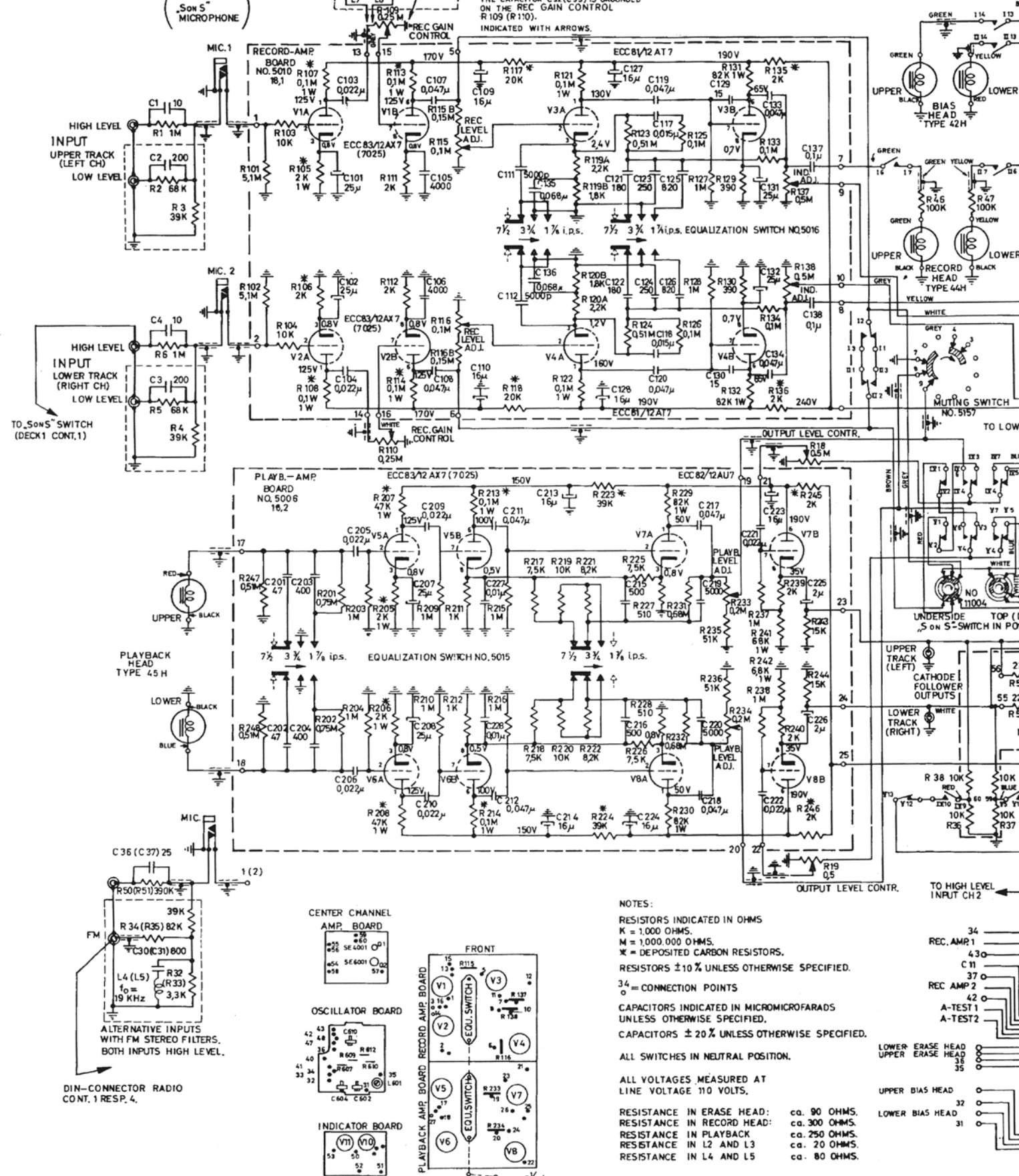


33 1/3 KHz FM MX-FILTERS

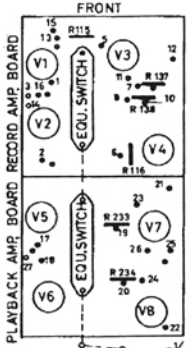
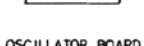
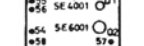
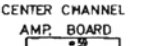
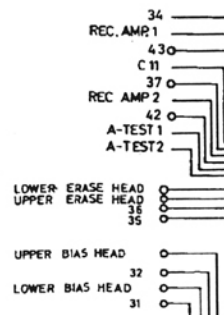
CONNECTION OF THE 33 1/3 KHz FM-MULTIPLEX FILTERS.

THE GREY WIRE HAS TO BE CUT AND THE 33 1/3 KHz FILTER MUST BE CONNECTED IN SERIES WITH THE GREY WIRE AND THE TOP OF THE REC GAIN CONTROL R109 (R110). THE CAPACITOR C32 (C33) IS GROUND ON THE REC GAIN CONTROL R109 (R110). INDICATED WITH ARROWS.

(SON S⁵ MICROPHONE)

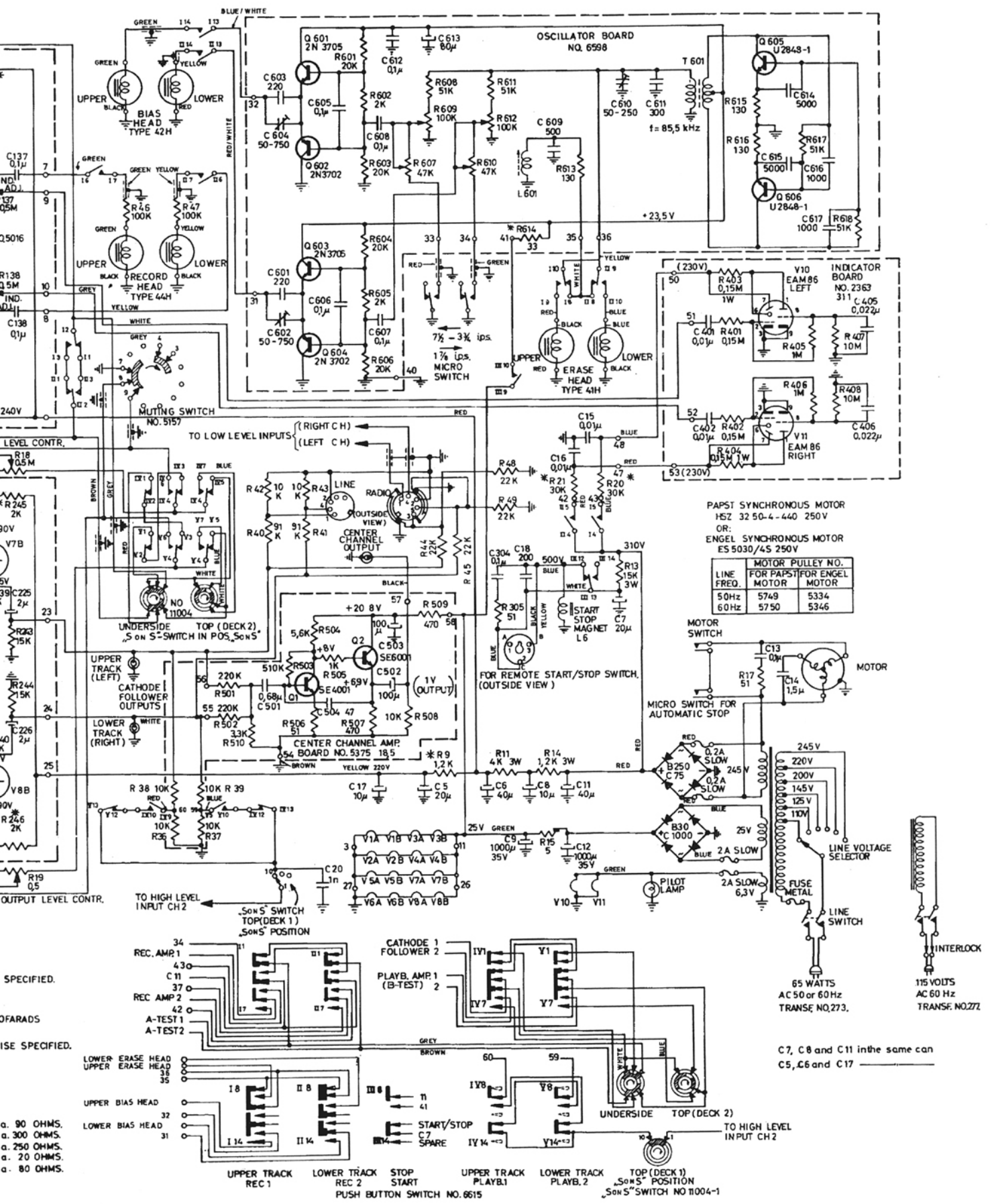


- NOTES:
- RESISTORS INDICATED IN OHMS
 - K = 1,000 OHMS.
 - M = 1,000,000 OHMS.
 - * = DEPOSITED CARBON RESISTORS.
 - RESISTORS ± 10% UNLESS OTHERWISE SPECIFIED.
 - 34 = CONNECTION POINTS
 - CAPACITORS INDICATED IN MICROMICROFARADS UNLESS OTHERWISE SPECIFIED.
 - CAPACITORS ± 20% UNLESS OTHERWISE SPECIFIED.
 - ALL SWITCHES IN NEUTRAL POSITION.
 - ALL VOLTAGES MEASURED AT LINE VOLTAGE 110 VOLTS.
 - RESISTANCE IN ERASE HEAD: ca. 90 OHMS.
 - RESISTANCE IN RECORD HEAD: ca. 300 OHMS.
 - RESISTANCE IN PLAYBACK: ca. 250 OHMS.
 - RESISTANCE IN L2 AND L3: ca. 20 OHMS.
 - RESISTANCE IN L4 AND L5: ca. 80 OHMS.



ALTERNATIVE INPUTS WITH FM STEREO FILTERS. BOTH INPUTS HIGH LEVEL.

DIN-CONNECTOR RADIO CONT. 1 RESP. 4.



C7, C8 and C11 in the same can
C5, C6 and C17